

# Vane Pump

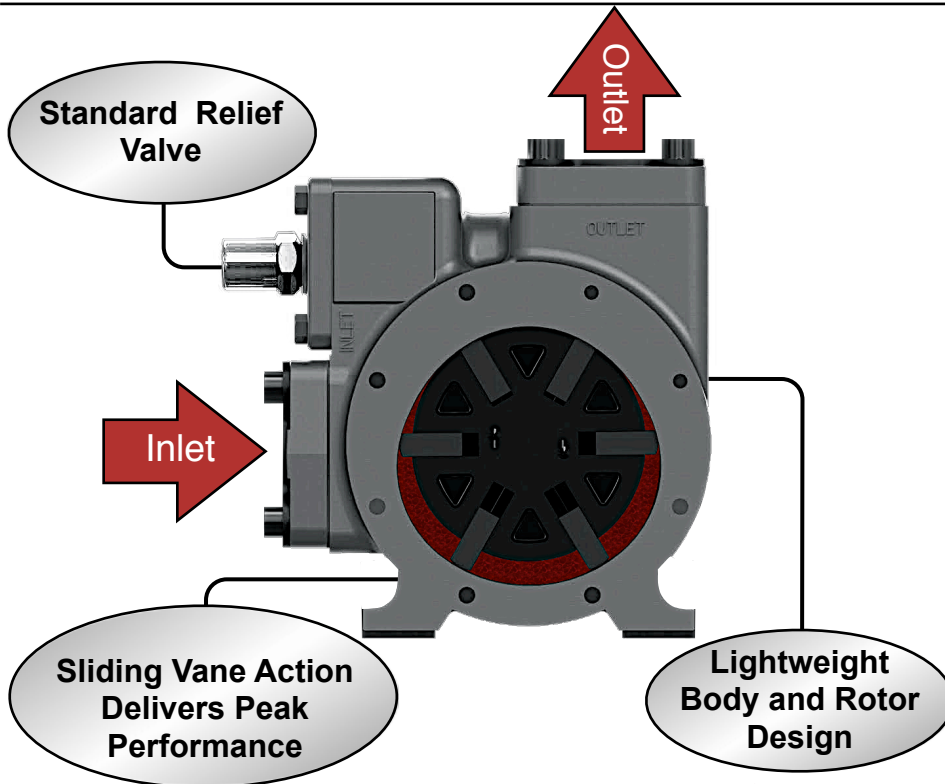


## Dependable and Efficient...

- Sliding vane action provides low maintenance, quiet operation, and lasting performance.
- Highly efficient design offers more product delivery per rotation than most other pump designs.

## Equipped with...

- Relief valve that can be adjusted to safeguard the pump from over pressure.
- Dual shaft for clock & counter clockwise.
- Multiple seal materials.
- Drop in mounting and interchangeable spare parts.



## Sizes

**VP80:** Flow rates to 87gpm,  
2" NTP Ports

**VP150:** Flow rates to 157 gpm, 2-1/2"  
and 3" NTP Ports

**VP270:** Flow Rates to 270 gpm,  
3" NTP Ports

- Pressure up to 125 psi

## Common Applications

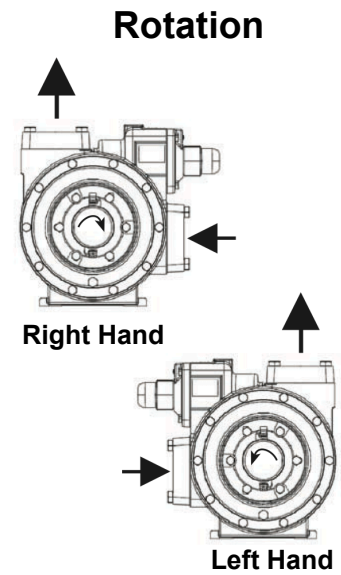
- Lube Oil
- Fuel Oil
- Solvents
- Petro Chemicals
- Many other products\*

\* For gasoline duty, check local regulation



## Performance Data

Pump Model	VP80		VP150		VP270	
Rated Pump Speed	640	520	640	520	640	520
Viscosity Rating (up to)	1000 SSU	5000 SSU	1000 SSU	5000 SSU	1000 SSU	5000 SSU
gpm	72	58	120	98	263	211
L/min.	273	220	454	371	995	799
m3/h	16	13	27	22	60	48
hp	3	2.5	5	3.8	11.1	8.6
kW	2.2	1.9	3.7	2.8	8.3	6.4

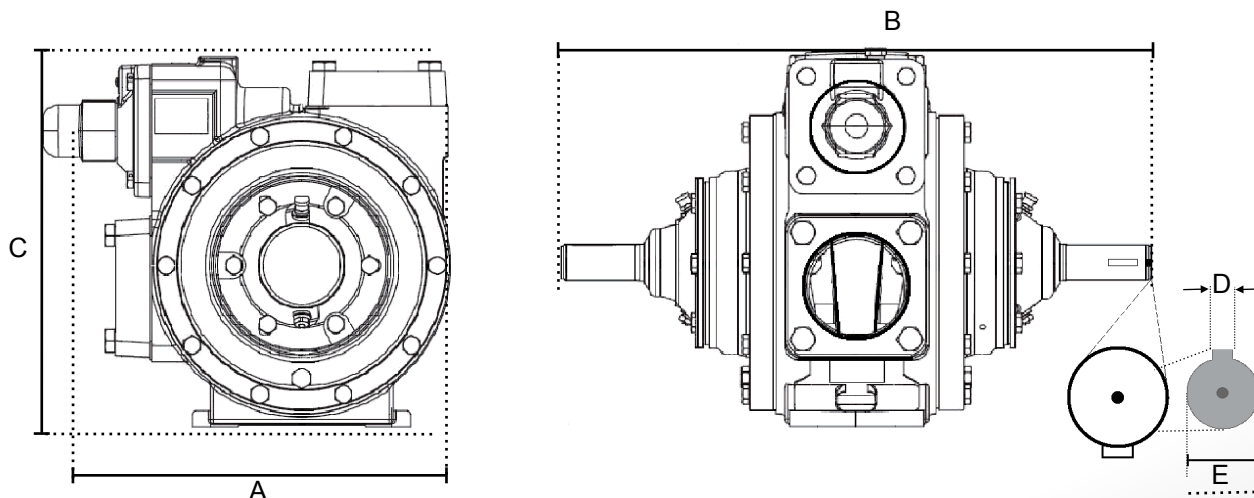


## Maximum Operating Limits

Pump Model	Nominal Flow Rate		Pump Speed	Viscosity		Differential Pressure		Working Pressure		Temperature	
	gpm	L/min.	rpm	ssu	cP	psi	bar	psi	bar	°F	°C
VP80	87	329	780	20,000	4,250	125	8.6	175	12.1	300	149
VP150	157	594	780	20,000	4,250	125	8.6	175	12.1	300	149
VP270	270	1,022	640	20,000	4,250	125	8.6	175	12.1	300	149

## Dimensions

Model		A	B	C	D	E	Port Size	Approx. Weight
VP80	in.	10	16 3/4	8	1/4	1 1/8	2	67 lbs.
	mm	254	425.5	220.7	6.4	28.6	50.8	32 kg
VP150 (2 1/2" PORT)	in.	10 3/4	18 1/8	9 5/8	1/4	1 1/8	2 1/2	94 lbs.
	mm	273.1	463.5	244.5	6.4	28.6	63.5	43 kg
VP 150 (3" PORT)	in.	10 3/4	18 1/8	9 5/8	1/4	1 1/8	3	102 lbs.
	mm	273.1	463.5	244.5	6.4	28.6	63.5	43 kg
VP270	in.	13 1/2	20 5/16	12 13/16	1/4	1 1/8	3	152 lbs.
	mm	342.9	515.9	325.4	6.4	28.6	76.2	69 kg



Paragon Tank Truck Equipment LLC,  
 2111 US Hwy 411 NE  
 Cartersville, Georgia 30120-9005  
 Tel 770-387-3820 | Toll Free 800-471-8769 | Fax 770-387-3824  
 www.truckblower.com | www.paragondirect.com | info@paragondirect.com  
 Copyright © 2015 Paragon Tank Truck Equipment LLC